

# General Specifications

Model AIP830  
Operation Keyboard for Single-loop Operation



GS 33J50C32-01EN

[Release 6]

## ■ GENERAL

*This document describes the hardware specifications of AIP830 Operation Keyboard for Single-loop Operation for Desktop Type HIS.*

*It contains an independent USB speaker (a sound function) other than buzzing alarms (buzzer sounds).  
An AIP830 keyboard can be used per one Desktop Type HIS.*

## ■ STANDARD SPECIFICATIONS

For installation specifications and environmental conditions, which are common to the systems, refer to the GS "System Overview" (GS 33J01A10-01EN).

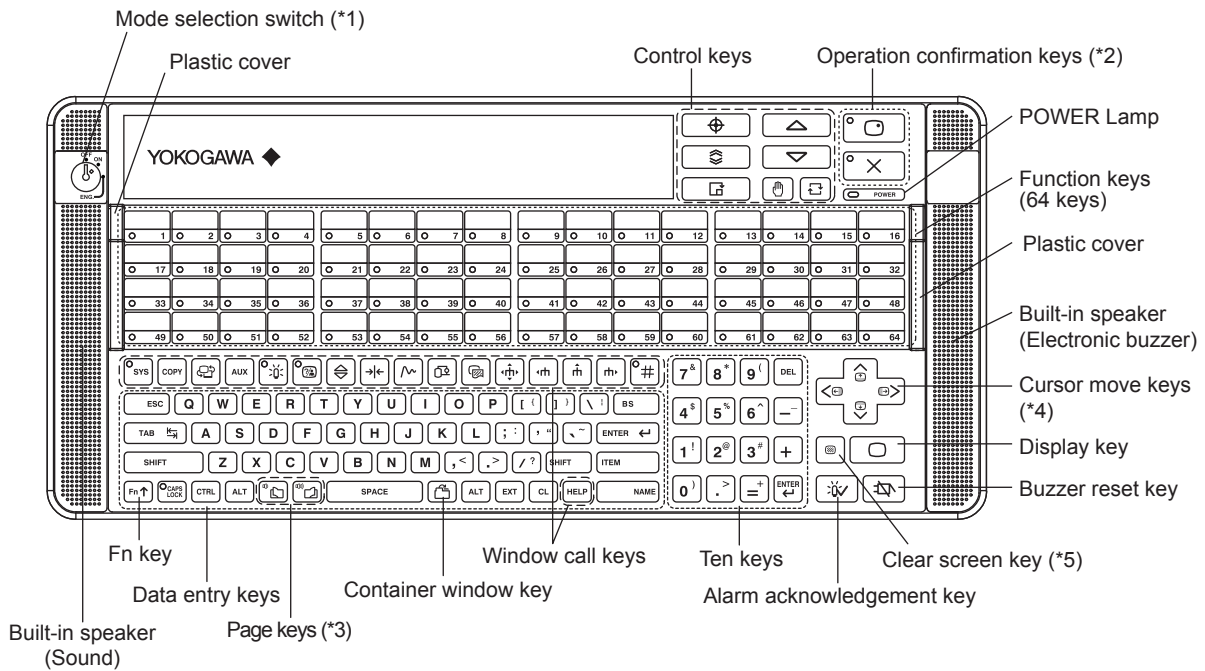
- Type: Flat keyboard (Sound Function: USB Speaker)
- PC Interface:
  - Interface Connector: USB A type x 2 (\*1)
  - Conformable USB standard
  - Operation Keyboard Function :           USB 2.0 (Full-speed, Bus-powered)
  - Sound Function :                            USB 1.1 (Full-speed, Bus-powered)
- Input Voltage: 5 V±5 % (Supplied from USB Port of PC)
- Maximum Consumption Current: 1 A
- Weight: Approx. 2.0kg (Without VESA Bracket), Approx. 2.5 kg (With VESA Bracket) (\*2)
- Chassis Color: Black (Equivalent to Munsell No. N1.5)
- AIP830 belongs to IEC 61010-1 installation category Class I  
(A device not directly connected with the main power supply).
- Operating Environment
  - Ambient temperature:
    - 5 to 40 °C (for normal operation)
    - 20 to 60 °C (in storage and transportation)
  - Ambient humidity:
    - 20 to 80 %RH (Non-condensing)

\*1: Both connectors must always be connected directly to a computer.

\*2: AIP830 with VESA Bracket must be mounted where it holds at least 10 kg of weight.

## LAYOUT

The Operation Keyboard is composed of both alphanumeric keys and special operation keys. It also has special window call keys grouped by function and 64 user-definable function keys which are used for process control and plant monitoring.



- \*1: With or without “Mode selection switch” is selectable by the suffix code.
- \*2: Two types of operation confirmation key symbols are selectable by the suffix codes.



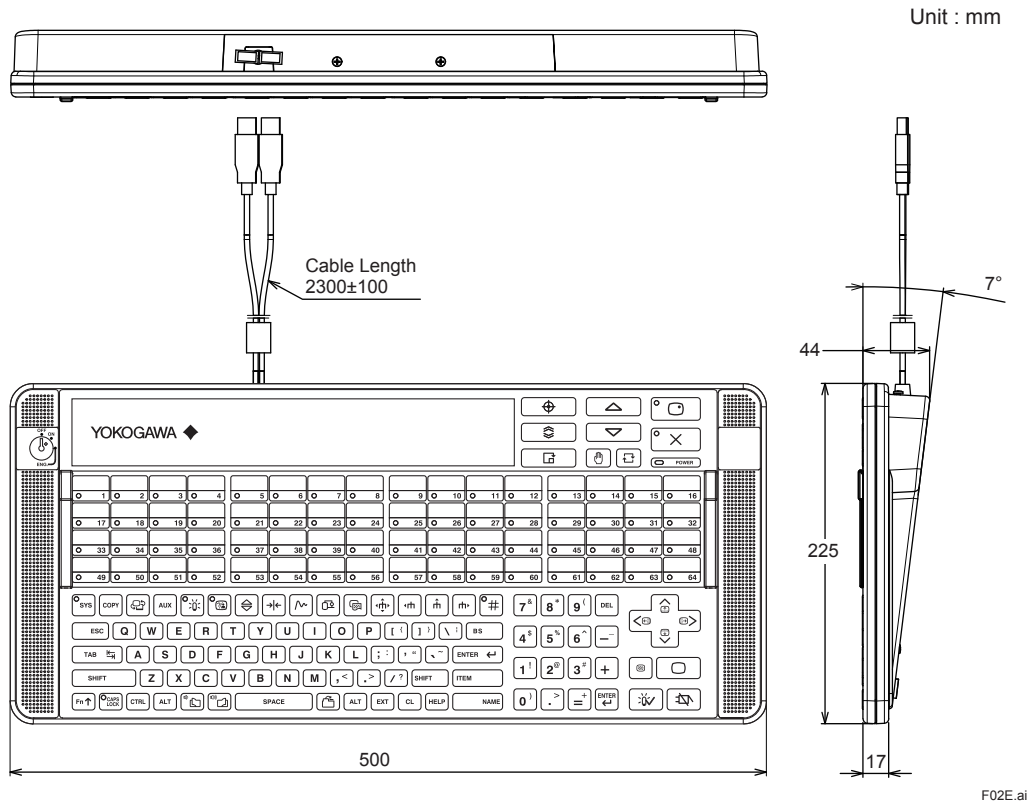
F04E.ai

- \*3: These keys also serve as “Volume control keys” when pressed simultaneously with Fn key.
- \*4: These keys also serve as “Scroll Keys” when pressed simultaneously with Fn key.
- \*5: Clear screen key becomes effective when pressed simultaneously with Fn key.  
(Clear screen key is enabled without pressing Fn key by changing the hardware settings.)

Figure Operation Keyboard and Names of Parts

## EXTERNAL DIMENSIONS

### Keyboard



Note: The Above drawings are for AIP830-1□□.

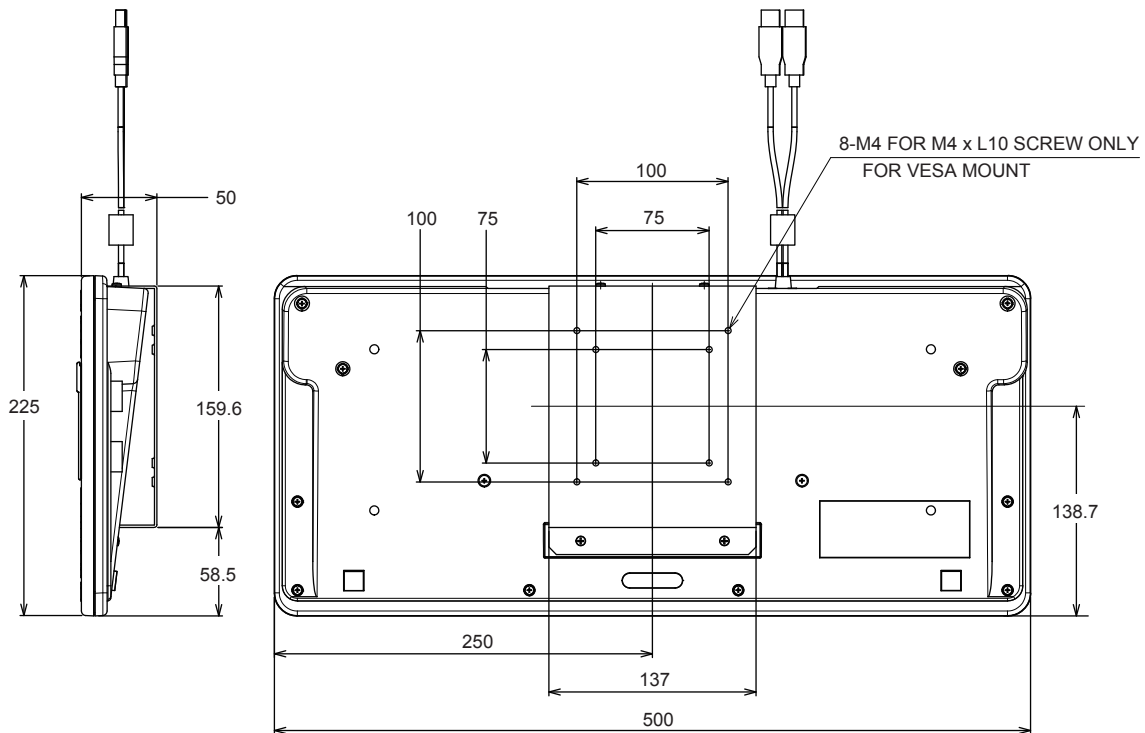
Nominal Tolerances :

When the reference dimension is over 0.5 mm and equal or less than 120 mm, its nominal tolerance is ± 0.8 mm, while its combination of nominal tolerance is ± 1.5 mm.

When the reference dimension is over 120 mm, its nominal tolerance is in accordance with JEM 1459.

● Dimensions of vesa bracket attachment

Unit : mm



F03E.ai

Nominal Tolerances :

When the reference dimension is over 0.5 mm and equal or less than 120 mm, its nominal tolerance is  $\pm 0.8$  mm, while its combination of nominal tolerance is  $\pm 1.5$  mm.

When the reference dimension is over 120 mm, its nominal tolerance is in accordance with JEM 1459.

■ MODEL AND SUFFIX CODES

		Description
<b>Model</b>	AIP830	Operation Keyboard for Single-loop Operation
<b>Suffix Codes</b>	-0	Without Mode selection switch
	-1	With Mode selection switch
	0	Operation confirmation key Type A
	1	Operation confirmation key Type B
<b>Option Codes</b>	/VESA	With VESA Bracket
	/EIM	With English Instruction Manual
	/JIM	With Japanese Instruction Manual

---

## ■ APPLICABLE STANDARDS

For the detailed information of the following standards, refer to “System Overview” (GS 33K01A10-50E,GS 33K01A20-50E).

### Safety Standards

- [CSA] (\*1)
- [CE Marking] (\*2)
- [EAC Marking] (\*6)
- [Morocco Compliance Marking (C<sub>Ⓜ</sub> Marking) ] (\*7)

### EMC Conformity Standards

- [CE Marking] (\*2) (\*5)
- [RCM] (\*3)
- [KC Marking] (\*4)
- [EAC Marking] (\*6)
- [Morocco Compliance Marking (C<sub>Ⓜ</sub> Marking) ] (\*7)

- \*1: AIP830 complies to CSA only when CSA mark is indicated on the PC which connects with AIP830.
- \*2: AIP830 complies to CE Marking only when CE mark is indicated on the PC which connects with AIP830.
- \*3: AIP830 complies to RCM only when RCM mark is indicated on the PC which connects with AIP830.
- \*4: AIP830 complies to KC Marking only when KC mark is indicated on the PC which connects with AIP830.
- \*5: EN 61000-3-2 and EN 61000-3-3 in CE Marking are out of scope for AIP830.
- \*6: AIP830 complies to EAC Marking only when EAC mark is indicated on the PC which connects with AIP830.
- \*7: AIP830 complies to C<sub>Ⓜ</sub> Marking only when C<sub>Ⓜ</sub> mark is indicated on the PC which connects with AIP830.

## ■ ORDERING INFORMATION

Specify the model and suffix codes.

## ■ TRADEMARK ACKNOWLEDGMENT

The names of corporations, organizations, products and logos herein are either registered trademarks or trademarks of Yokogawa Electric Corporation and their respective holders.